



**937 BURNT MEADOW ROAD**

**HEWITT, NJ 07421**

**973-728-1667**

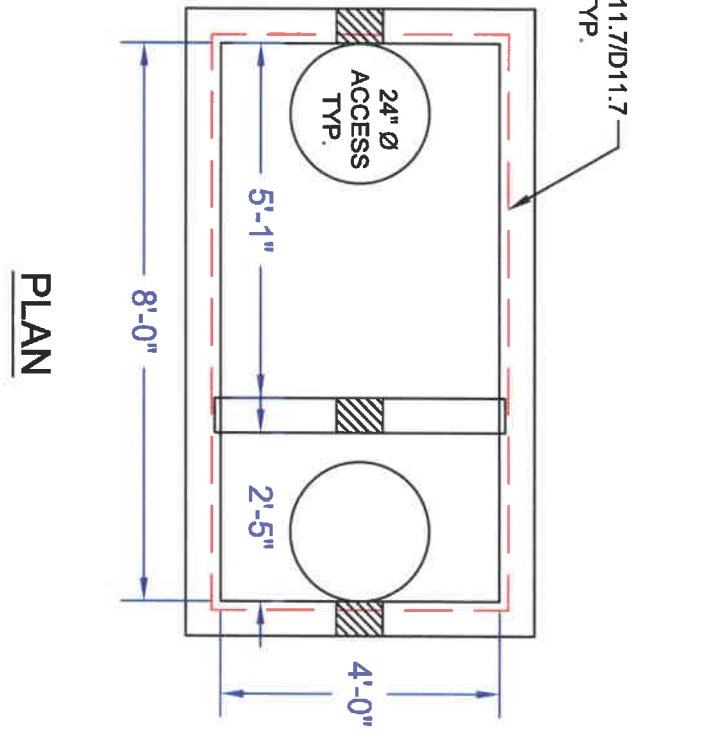
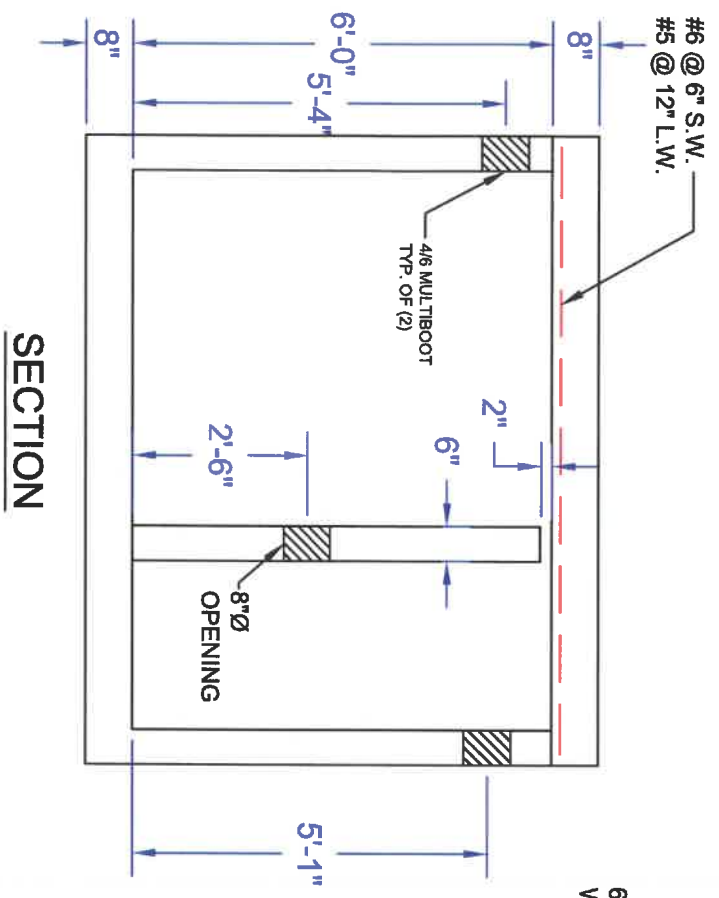
**SALES@NORTHEASTCONCRETE.NET**

**<https://www.northeastconcrete.net/>**

**GREASE TRAPS**

1. 1000 GALLON GREASE TRAP
2. 1500 GALLON GREASE TRAP, 2-COMPARTMENT
3. 2000 GALLON GREASE TRAP, HD

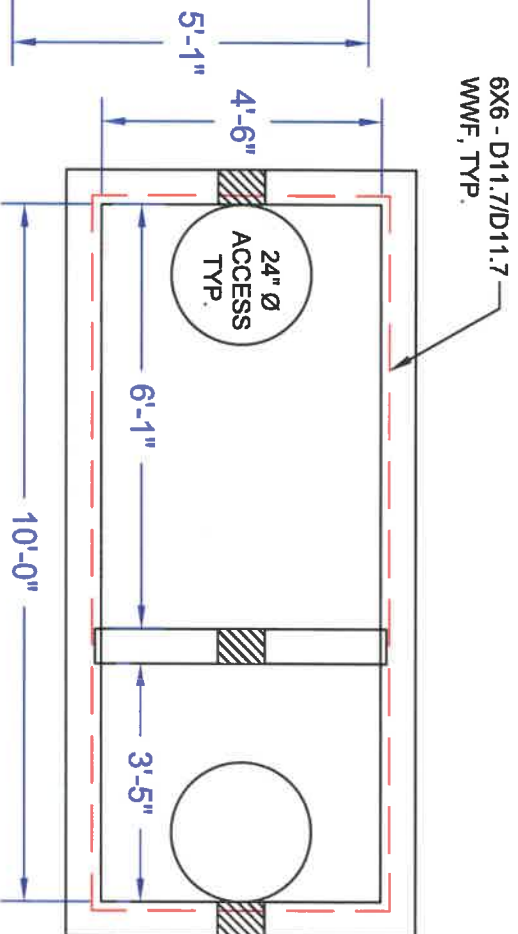
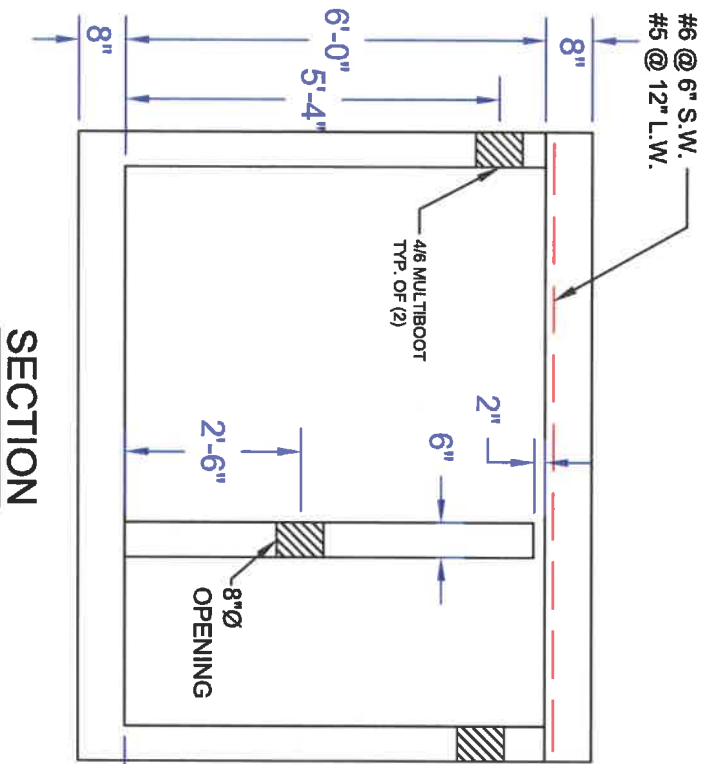
# 1000 GALLON GREASE TRAP



APPROVED FOR PRODUCTION:  
DATE \_\_\_\_\_

937 BURNT MEADOW Rd. TELEPHONE (973) 728-1667		HEWITT, NJ 07421 FAX (973) 728-2662	
<b>NORTHEAST CONCRETE PRODUCTS</b>		<b>CONTRACTOR</b>	
PROJECT		DATE:	
DATE:		DRWG No.	
<b>NOTES</b> 1. 4500 PSI CONCRETE @ 28 DAYS 2. GRADE 60 REINFORCING STEEL 3. PVC BAFFLES BY OTHERS, NOT PICTURED 4. INTERIOR COAL TAR EMULSION COATING 5. APPROXIMATE HEAVIEST PICK: 18,000 LBS. 6. DESIGNED FOR HS-25 LOADS			

# 1500 GALLON GREASE TRAP, 2-COMPARTMENT



APPROVED FOR PRODUCTION:  
DATE \_\_\_\_\_

937 BURNT MEADOW Rd.  
TELEPHONE (973) 728-1667

HEWITT, NJ 07421  
FAX (973) 728-2662

**NORTHEAST  
CONCRETE  
PRODUCTS**

CONTRACTOR

PROJECT

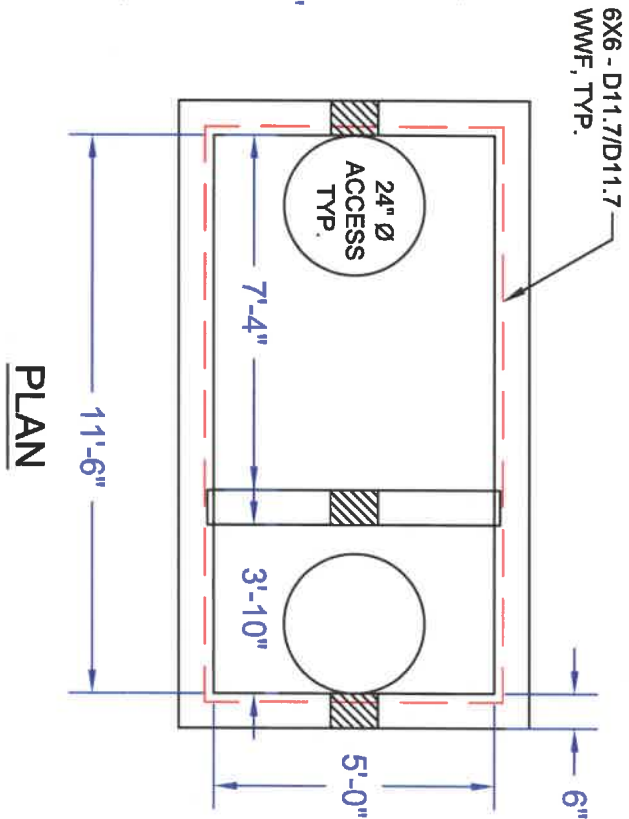
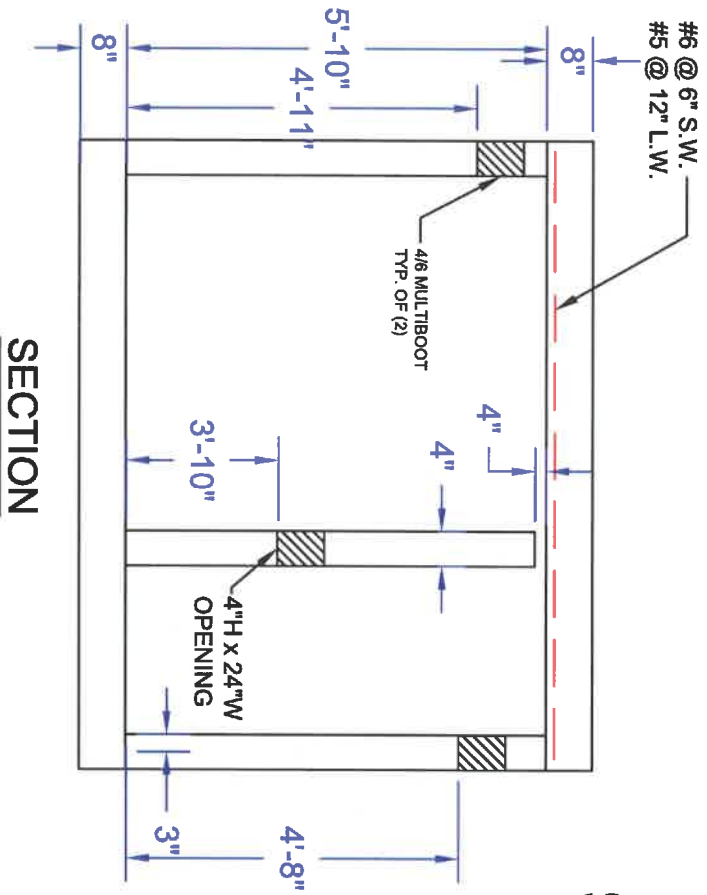
DATE:

DRWG No.

NOTES

1. 4500 PSI CONCRETE @ 28 DAYS
2. GRADE 60 REINFORCING STEEL
3. PVC BAFFLES BY OTHERS, NOT PICTURED
4. INTERIOR COAL TAR EMULSION COATING
5. APPROXIMATE HEAVIEST PICK: 18,000 LBS.
6. DESIGNED FOR HS-20 LOADS

# 2000 GALLON GREASE TRAP HD



APPROVED FOR PRODUCTION:  
DATE \_\_\_\_\_

937 BURNT MEADOW RD. TELEPHONE (973) 728-1667		HEWITT, NJ 07421 FAX (973) 728-2662	
<b>NORTHEAST CONCRETE PRODUCTS</b>		<b>CONTRACTOR</b>	
PROJECT		DATE:	
DATE:		DRWG No.	
<b>NOTES</b> 1. 4500 PSI CONCRETE @ 28 DAYS 2. GRADE 60 REINFORCING STEEL 3. PVC BAFFLES BY OTHERS, NOT PICTURED 4. INTERIOR COAL TAR EMULSION COATING. 5. DESIGNED FOR HS-25 LOADS			