



937 BURNT MEADOW ROAD

HEWITT, NJ 07421

973-728-1667

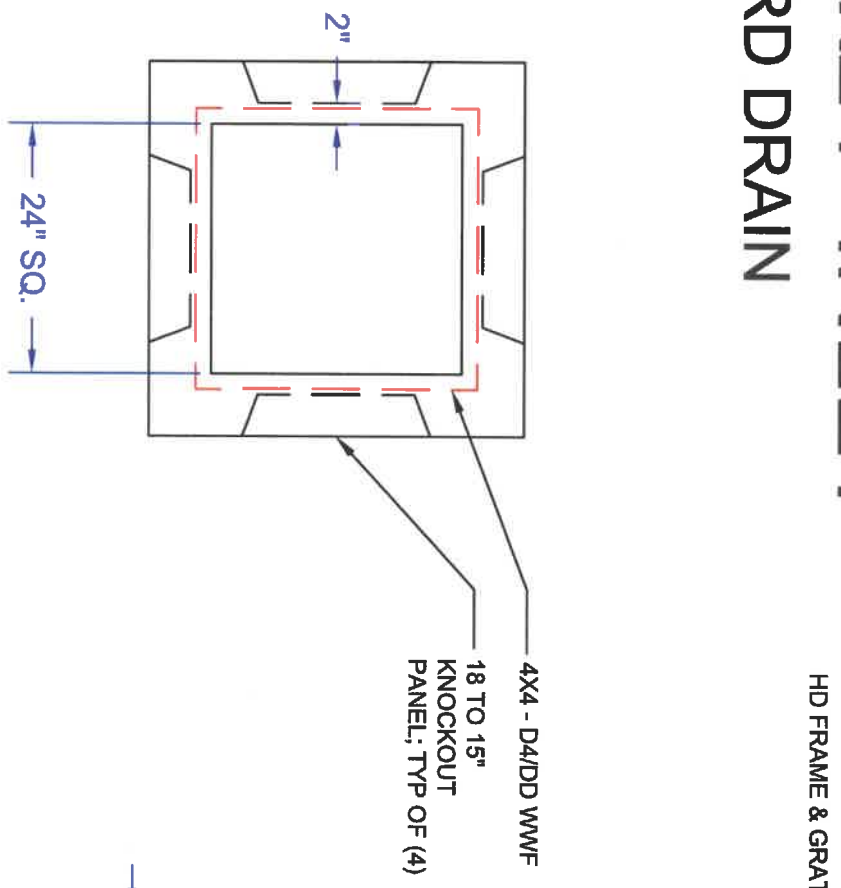
SALES@NORTHEASTCONCRETE.NET

<https://www.northeastconcrete.net/>

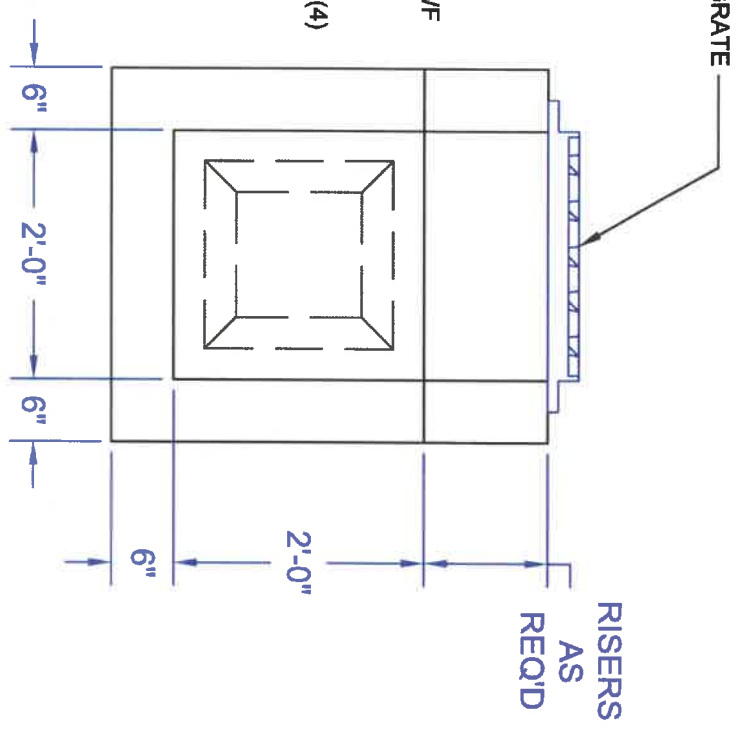
KNOCKOUT INLETS

1. 24" X 24" INLET YARD DRAIN
2. 24" X 48" INLET TYPE A
3. 30" X 48" INLET TYPE D
4. 42" X 48" X 24" INLET TYPE B OR E
5. 42" X 48" X 30" INLET TYPE B OR E
6. 42" X 48" X 36" INLET TYPE B OR E

24X24" INLET YARD DRAIN



PLAN

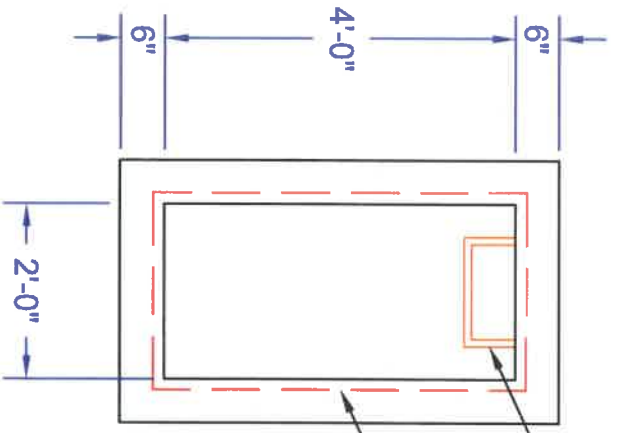


SECTION

APPROVED FOR PRODUCTION: _____
DATE _____

<p>937 BURNT MEADOW Rd. TELEPHONE (973) 728-1667</p>		<p>1. Laboratory/Professional Seal HEWITT, NJ 07421 FAX (973) 728-2662</p>	
<p>NORTHEAST CONCRETE PRODUCTS</p>		<p>CONTRACTOR</p>	
<p>PROJECT</p>		<p>NOTES</p>	
<p>DATE:</p>		<p>1. 4500 PSI CONCRETE @ 28 DAYS 2. GRADE 60 REINFORCING STEEL 3. DESIGNED FOR HS-20 LOADS</p>	
<p>DRWG No.</p>			

24X48" INLET TYPE A

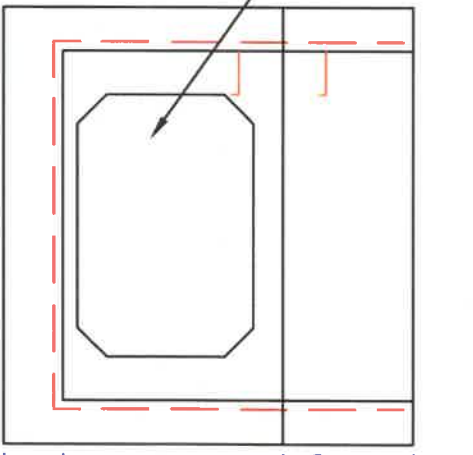


PLAN

STEP LOCATION
PER DATA SHEET

6X6 D6-D6 WWF

KNOCKOUT
WINDOW TO
ACCOMMODATE
UP TO 24" PIPE
ALL SIDES



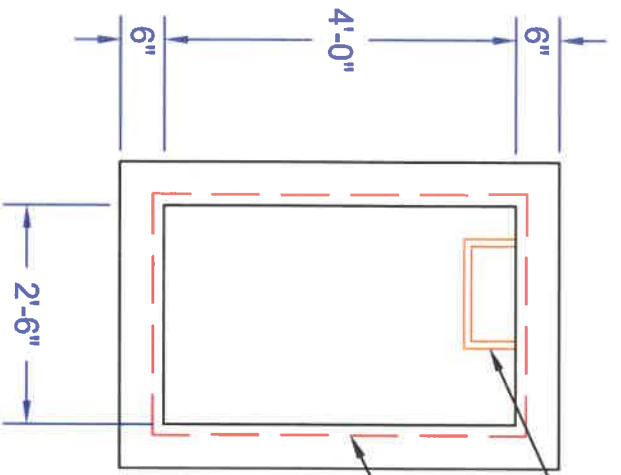
SECTION

RISERS AS
REQUIRED
OR FLAT TOP

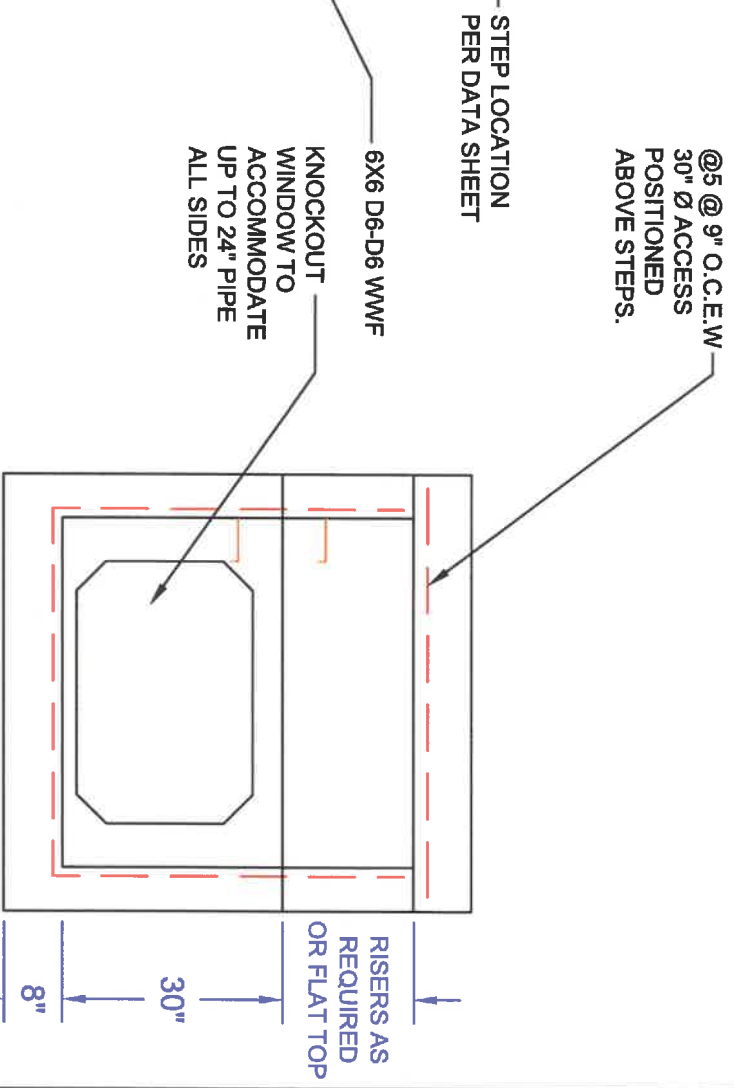
APPROVED FOR PRODUCTION: _____
DATE _____

<p style="text-align: center;">NORTHEAST CONCRETE PRODUCTS</p> <p style="text-align: center;">HEWITT, NJ 07421 FAX (973) 728-2662</p>		<p>CONTRACTOR</p>
<p>937 BURNT MEADOW RD. TELEPHONE (973) 728-1667</p>		<p>PROJECT</p>
<p>DATE: _____</p>		<p>DRWG No. _____</p>
<p>NOTES</p> <ol style="list-style-type: none"> 1. 4500 PSI CONCRETE @ 28 DAYS 2. WWF REINFORCING PER ASTM A165 3. POLYPROPYLENE COATED STEEL LADDER RUNGS: PS2-PF BY MA INDUSTRIES 4. DESIGNED FOR H-20 LOADS 		

30X48" INLET TYPE D



PLAN



SECTION

APPROVED FOR PRODUCTION: _____
DATE _____



937 BURNT MEADOW RD.
TELEPHONE (973) 728-1667

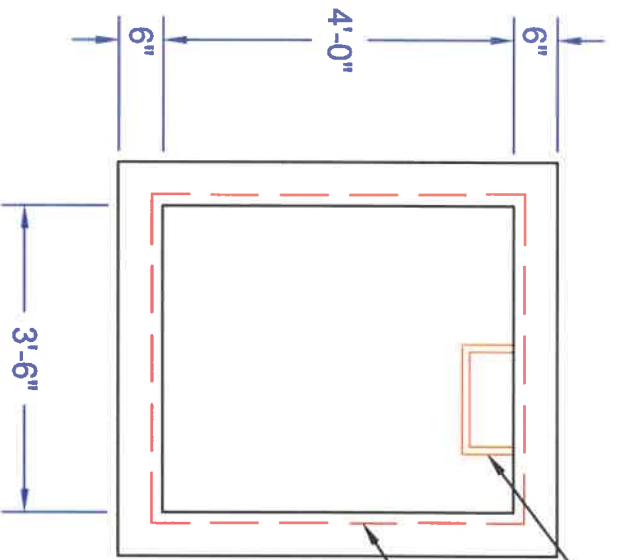
**NORTHEAST
CONCRETE
PRODUCTS**

HEWITT, NJ 07421
FAX (973) 728-2662

CONTRACTOR	
PROJECT	
DATE:	DRWG No.

- NOTES**
1. 4500 PSI CONCRETE @ 28 DAYS
 2. WWF REINFORCING PER ASTM A165
 3. POLYPROPYLENE COATED STEEL LADDER RUNGS: PS2-PF BY MA INDUSTRIES
 4. DESIGNED FOR H-20 LOADS

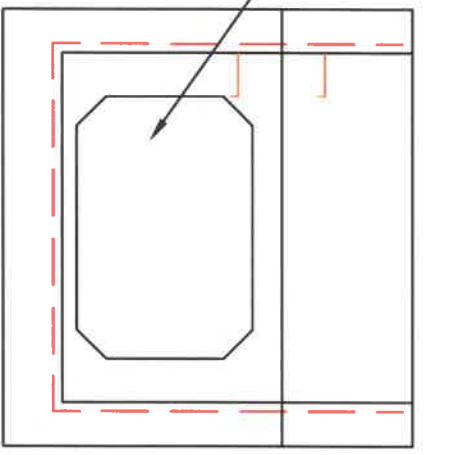
42X48" INLET TYPE B ORE



PLAN

STEP LOCATION
PER DATA SHEET

6X6 D6-D6 WWF
KNOCKOUT
WINDOW TO
ACCOMMODATE
UP TO 24" PIPE
ALL SIDES



SECTION

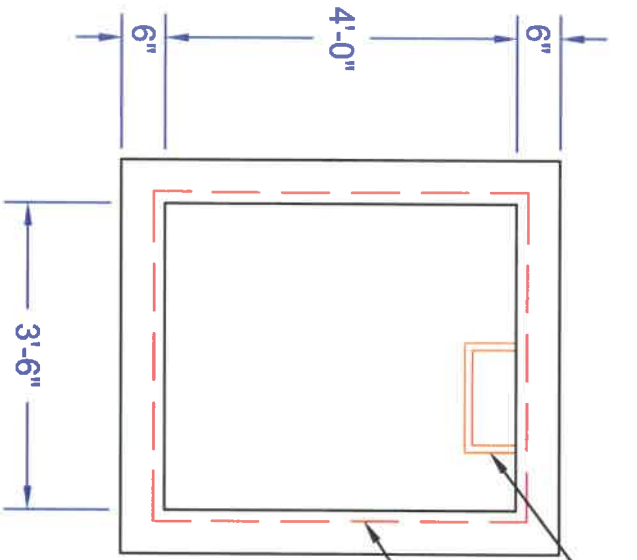
RISERS AS
REQUIRED

APPROVED FOR PRODUCTION:

DATE _____

<p>937 BURNT MEADOW RD. TELEPHONE (973) 728-1667</p>		<p>NORTHEAST CONCRETE PRODUCTS</p> <p>HEWITT, NJ 07421 FAX (973) 728-2662</p>	
<p>CONTRACTOR</p>		<p>NOTES</p>	
<p>PROJECT</p>		<p>1. 4500 PSI CONCRETE @ 28 DAYS 2. WWF REINFORCING PER ASTM A165 3. POLYPROPYLENE COATED STEEL LADDER RUNGS: PS2-PF BY MA INDUSTRIES 4. DESIGNED FOR H-20 LOADS</p>	
<p>DATE:</p>		<p>DRWG No.</p>	

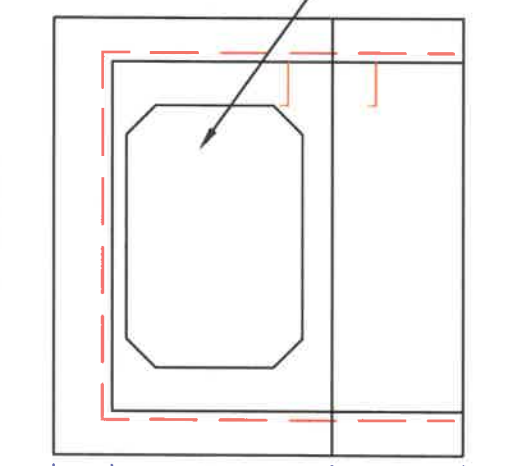
42X48" INLET TYPE B ORE



PLAN

STEP LOCATION
PER DATA SHEET

6X6 D6-D6 WWF
KNOCKOUT WINDOW TO
ACCOMMODATE
UP TO 24" PIPE
ALL SIDES



SECTION

RISERS AS
REQUIRED

APPROVED FOR PRODUCTION: _____
DATE _____

<p>937 BURNT MEADOW RD. TELEPHONE (973) 728-1667</p> <p>NORTHEAST CONCRETE PRODUCTS HEWITT, NJ 07421 FAX (973) 728-2662</p>		<p>CONTRACTOR</p>	<p>NOTES</p> <ol style="list-style-type: none"> 1. 4500 PSI CONCRETE @ 28 DAYS 2. WWF REINFORCING PER ASTM A165 3. POLYPROPYLENE COATED STEEL LADDER RUNGS: PS2-PF BY MA INDUSTRIES 4. DESIGNED FOR H-20 LOADS
<p>PROJECT</p>		<p>DATE:</p>	
<p>DATE:</p>		<p>DRWG No.</p>	